

THE COMPANY

Red Jacket Systems, LLC (RJS) a small Native American & Veteran owned company established in 2002 provides Software Engineering services expertise in the following areas: Software Design and Development, Quality Assurance, Test, Configuration Management, Project Management, Release Management, Software Best Practices, System Administration, Training and Staff Augmentation.

CORPORATE CONTACT

REX LALLMAN
PRESIDENT

900 S. WASHINGTON STREET
FALLS CHURCH, VA 23046

703.623.9982 OFFICE
703.536.8891 FAX

SALES@REDJACKETSYSTEMS.COM
WWW.REDJACKETSYSTEMS.COM

Statement of Capabilities

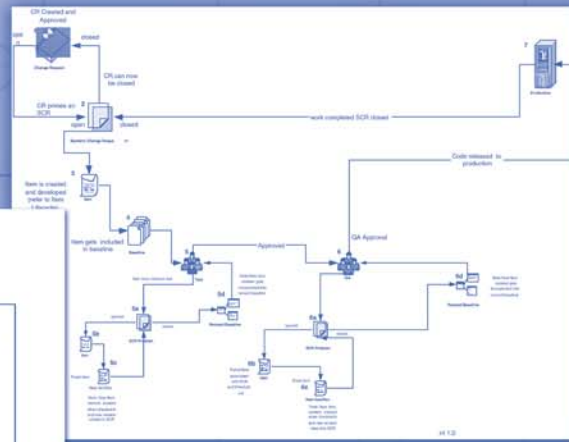
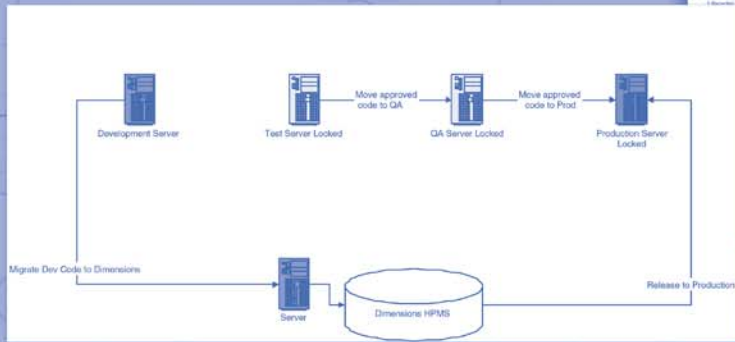
CLIENTS

- Kaiasoft
- Datatel
- Prism
- NavStar
- EDS
- Centers for Medicaid and Medicare
- Department of Homeland Security
- Immigration and Naturalization Services

RED JACKET SYSTEMS LLC



**NATIVE SOLUTIONS FOR
SOFTWARE ENGINEERING**



SOFTWARE ENGINEERING

Red Jacket Systems, LLC integrates methodologies, automated tools and procedures in the development of application software. We enable the project manager to control the process of software development and provide the foundation for building high quality software by using our past experiences and resources efficiently. Our scope of services include:

- Requirements Allocation
- Application Programming
- Configuration Management
- Testing
- Database Design and Implementation Software Enhancement and Upgrade
- Release Management
- Process Engineering
- Web Development
- Quality Assurance
- Independent Verification and Validation
- CMM and CMMI, ISO9000 and Software Best Practices implementation

APPLICATION DEVELOPMENT

Our Development Engineers are proficient in Client Server Development and are experts in all phases of the system development life cycle. They are highly familiar with tools such as Visual Basic, Microsoft Visual Studio, SQL, C++, PVCS Dimensions/Pro, Mercury, Rational, and techniques such as Object-Oriented Programming and Design. We have systems and programming expertise in GUI interface, Windows and relational database, as well as proficiency in Rapid Application and Prototype development.

CONFIGURATION MANAGEMENT

Our Configuration Management Engineers have extensive experience architecting processes and procedures in accordance with CMM/CMMI/ISO9000 and industry Best Practices. Red Jacket Systems has a close relationship with the Merant technical staff to keep abreast of new product changes with the PVCS Dimensions or Pro Suite. We specialize in implementation of the PVCS Dimensions and Pro Suite on all supported platforms. This includes Version Management, Change

Management, Build and Release Management customized to fit the needs of our customers. We also incorporate reliable Status Accounting techniques that allow for the proper metrics reporting at any point in the Software Design Life Cycle.

QUALITY ASSURANCE

Our Subject Matter Experts have extensive experience in the area of Quality Assurance using various industry standards. This includes developing managing, communicating, and maintaining the quality assurance process in accordance with contract corporate requirements. We create and operate the audit activity to review product and process compliance with established standards.

SOFTWARE TESTING

Red Jacket Systems Test Consultants use automated testing tools such as Mercury for test automation. Our Test Consultants are experienced with comprehensive functional and requirements testing to ensure minimal problems occur in production. Red Jacket Systems also has in depth experience with Independent Validation and Verification to ensure quality products are delivered on time.

